



# Intense PC Owner's Manual



# Intense PC Owner's Manual

01-July-2012

## **Introduction**

*Package contents*

*Hardware specifications*

*Intense PC features*

## **Quick start guide**

*Connecting Intense PC*

*Booting Linux*

*Booting Windows 7*

## **Maintenance**

*Opening service door*

*Service bay*

## **BIOS Setup Utility**

## **Warranty and RMA**

*Warranty*

*RMA*

## **Tips for saving power**

*General*

*In Operating System*

For more information and to obtain the latest revision of this document, please visit

[www.fit-pc.com](http://www.fit-pc.com)

# Introduction

## Package contents

1. Intense PC computer
2. 12V DC power supply
3. AC cord. Standard North-American plug \*
4. HDMI to DVI adapter
5. 3.5mm to RCA cable for S/PDIF
6. 2 WiFi antennas (in some models)

To use Intense PC, you will need:

- A display with DVI, HDMI or DisplayPort input + DVI, HDMI or DisplayPort cable
- USB keyboard and mouse

## Hardware specifications

<b>CPU</b>	Intel Core CPU 827E / 847E / i3-2340UE / i7-3517UE
<b>Chipset</b>	Intel 6 /7 Series System Controller Hub
<b>RAM</b>	2x DDR3 1333 SO-DIMM sockets (up to 16 GB)
<b>Storage</b>	Internal bay for 2.5" (9.5mm thick) SATA 3 HDD
<b>Display</b>	HDMI / DVI + DisplayPort in dual head configuration
<b>Audio</b>	S/PDIF in/out 7.1 channels Stereo line-out and stereo line-in
<b>Wireless</b>	802.11b/g/n 2 antennas BT 3.0
<b>LAN</b>	2x 1000BaseT RJ45
<b>USB</b>	2x USB 3.0 5 Gbps 2x USB 2.0 480 Mbps 4x USB 2.0 in front *
<b>Serial</b>	RS232 full UART (mini connector, cable sold separately)
<b>Power</b>	12V DC
<b>Operating temperature</b>	0 – 50°C

\* Local resellers may supply Intense PC with other AC cord types.



## **WLAN**

2 WLAN antennas are supplied in models with integrated WiFi and should be screwed into the standard SMA connectors.

## **USB**

There are 2 USB 3.0 ports (5 Gbps) and 2 USB 2.0 ports on the back panel.

All USB ports support current up to 1A.

Ports on the back are upside down – note when connecting USB plugs.

Depending on the FACE Module used - some models incorporate additional 4 USB 2.0 ports in the front.

## **Serial port**

The RS232 mini-serial port is located on the back panel.

Mini-serial to DB9 cable to connect to standard serial devices is sold separately.

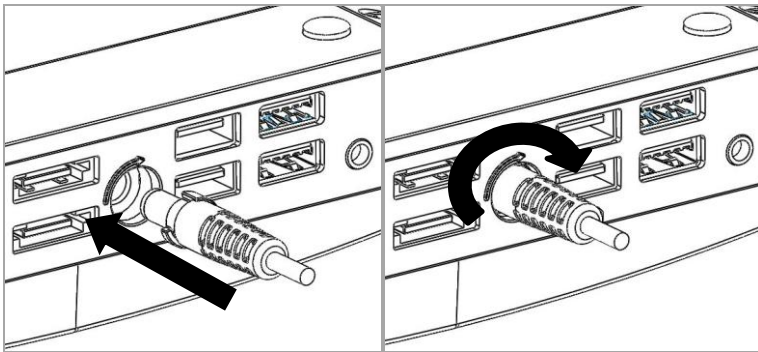
## **eSATA**

Intense PC features two eSATA ports. Ports are located on the back panel.

# Quick start guide

## Connecting Intense PC

- Turn off the display and connect it to the Intense PC HDMI connector (use the HDMI to DVI adapter if needed).
- Connect the USB keyboard and mouse to USB 2 connectors.
- Plug the Ethernet cable into the Ethernet connector.
- In Intense PC models with WiFi: Mount the WiFi Antennas on the SMA connector by turning it clockwise repeatedly until the antenna holds firm.
- Insert the DC plug into the Intense PC DC-in jack. Rotate clockwise 90° to secure.



- Plug the speakers into the line-out jack.
- Connect the power supply to the AC cord and plug the cord into AC outlet. The front panel logo should light up as the Intense PC boots.

## Booting Linux

Linux loads automatically on power up. Upon boot you will be guided through the Linux Mint first-boot setup procedure.

## Booting Windows 7

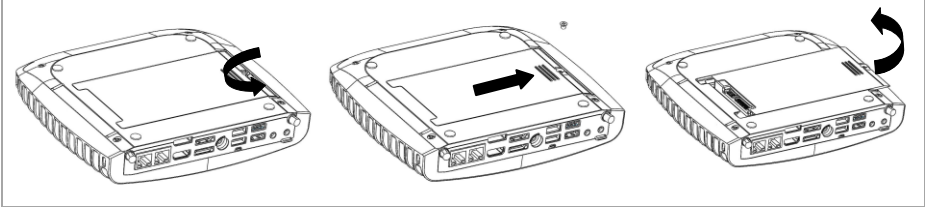
Upon first power-up, you will be guided through the Windows Welcome procedure which is self-explanatory. The Windows 7 serial number is printed on the Windows 7 label on the bottom of your Intense PC.

# Maintenance

Intense PC requires no maintenance. You should not take the Intense PC apart other than opening the service door. Taking Intense PC apart will void its warranty.

The following operations can be conducted by the user:

## Opening service door



1. Unscrew marked Philips screw at the bottom to release service-door.
2. Slide out service-door until it stops – about 10 mm.
3. Service-door is now detached. Lift edge of service-door to completely remove.

Re-assemble in reverse order. Hard disk connects by sliding-in the service-door.

## Service bay



The service-bay provides easy access to hard-disk, RAM, and mini-PCIe sockets incl. WLAN module.

**Hard disk** is 2.5" 9.5mm SATA. It is screwed to service door by 4 screws, 2 on each side. It is recommended to use 5400 RPM hard disk or SSD. 7200 RPM or higher is not recommended due to higher power consumption and risk of overheating.

**RAM** – use DDR3-1333 SO-DIMM modules.

**Mini-PCIe** – the half-size mini-PCIe is normally used for WLAN. If you remove the WLAN module make sure to isolate the ends of antenna cables with some tape to avoid short-circuit. The full-size mini PCIe is available for any use.

# **BIOS Setup Utility**

## **Entering BIOS Setup Utility**

Turn off the Intense PC.

Turn on while holding down the F2 key.

## **Bios Features**

See [http://fit-pc.com/wiki/index.php/IntensePC: BIOS Documentation](http://fit-pc.com/wiki/index.php/IntensePC: BIOS_Documentation)

# **Warranty and RMA**

## **Warranty**

- CompuLab guarantees products against defects in workmanship and material for a period of 24 months from the date of shipment.
- Your sole remedy and CompuLab's sole liability shall be for CompuLab, at its sole discretion, to either repair or replace the defective product at no charge.
- This warranty is void if the product has been altered or damaged by accident, misuse or abuse.

## **RMA**

Keep the original package for shipping in case of hardware failure.

In case of HW failure of an Intense PC under warranty, please contact the seller of that Intense PC.

Please provide the following required information:

- Intense PC serial number
- Name of purchaser
- Address
- Problem description

If the Intense PC was purchased directly from CompuLab, please email [rma@fit-pc.com](mailto:rma@fit-pc.com).

# **Tips for saving power**

## **General**

- Working without a connected display automatically disables the graphics controller – saving power.
- Disconnect external USB devices when not in use.

## **In Operating System**

Use power scheme as follows

- Turn of monitor after several minutes not in use
- Turn off hard disk after several minutes not in use
- System standby after an hour not in use